

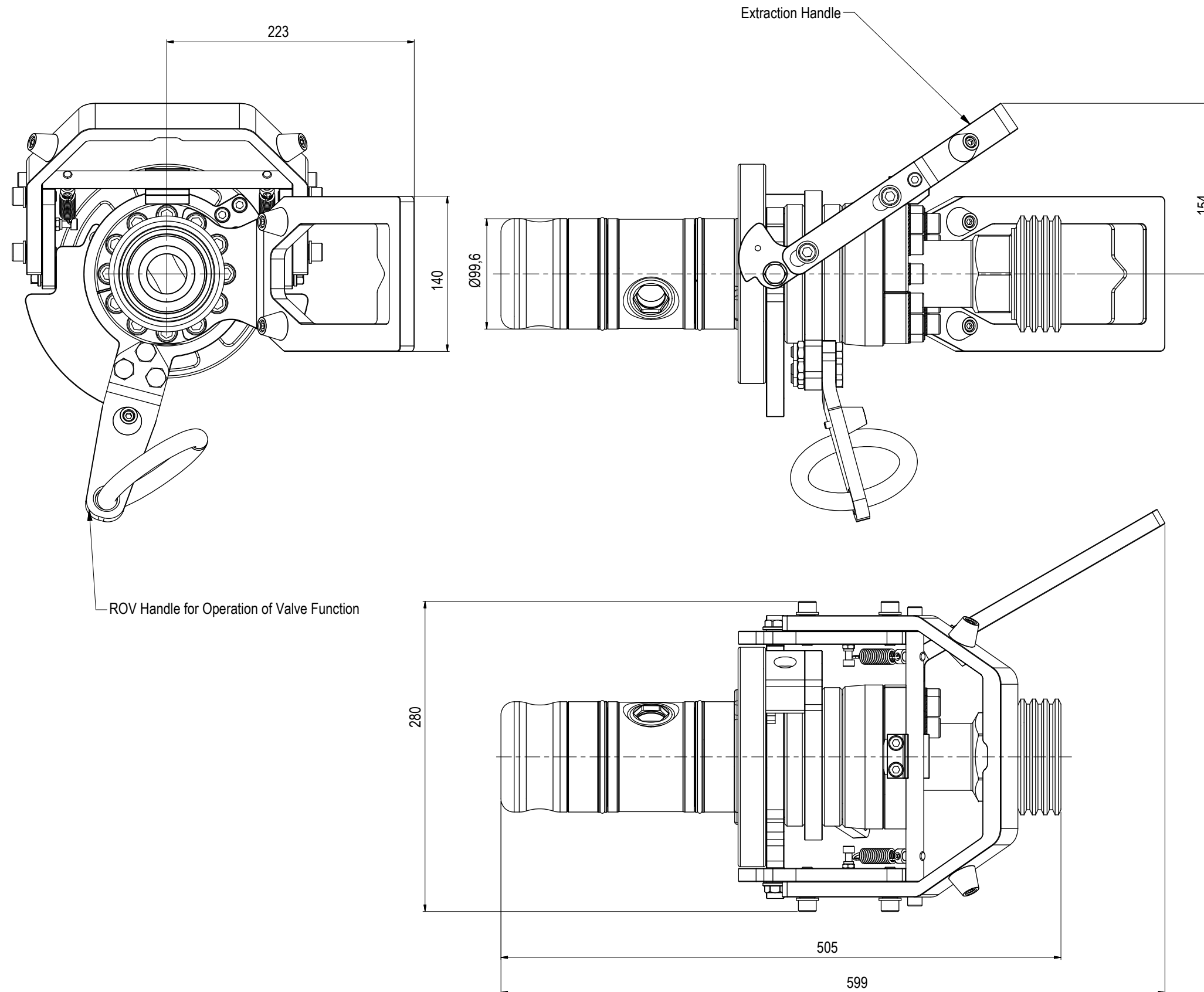
NOTE: 1
 DESIGN CODE:
 API 17D
 API 6A PSL 3

NOTE: 2
 TECHNICAL CLASSIFICATION:
 Article Type: 003-Valve Stabs
 Main Group: 3.05. Ø100-Valvestab
 Intermediate Group: 3.35.01. Stab
 Sub Group: 3.35.80.1. Single

NOTE: 3
 INTERFACE INFORMATION:
 Pressure Rating Bar: 345
 Material: 316L/SUPER DUPLEX/S165M/OM7
 Weight: 37,1 kg
 Volume: 5,12 dm³
 Surface Area: 11888 cm²
 Hydraulic: 2" fig. 1502 Female
 Mechanical: N/A
 Electrical: N/A
 Com. & Protocol: N/A

NOTE: 4
 ADDITIONAL INFORMATION:
 Ø100 Valve Stab with 2" fig. 1502 Female and an integrated isolation valve to allow connection/disconnection at full system pressure with no spill of fluid or water ingress. This allows for pressurising the down line when handled with ROV, this makes the risk of damage to the downline minimal. Also it reduce the risk of Hose collapse in case of operating in deep waters. Integrated handle for operation of valves in Valve Stab and Receptacle. Rated for 5000Psi and designed for temporary subsea exposure, i.e. intervention operations.

Note!
 This VStab is only compatible with single port Vstab receptacles. Mating of Vstabs and Vstab receptacles with different number of ports may cause injuries, equipment damage and spill of fluid.



15	7.1.2026	9-IFU (Issued for Use)		HNJ	TAN	HNJ
14	31.1.2023	7-IFC (Issued for Construction)		HNJ	TAN	HNJ
13	13.1.2023	7-IFC (Issued for Construction)		TAN	HNJ	TAN
12	31.10.2022	7-IFC (Issued for Construction)		HNJ	LGH	HNJ
Rev.	Date	Reason for issue	Revision change	Made	Chk'd	Appr.



Dwg Scale:	NTS
Dwg Proj:	⊕
Dwg Format:	A3

Drawing title:	Ø100 SP VStab 5k Interv 2" fig. 1502 w/ Extraction Handle	
Drawing number:	BA5684	Rev. 15